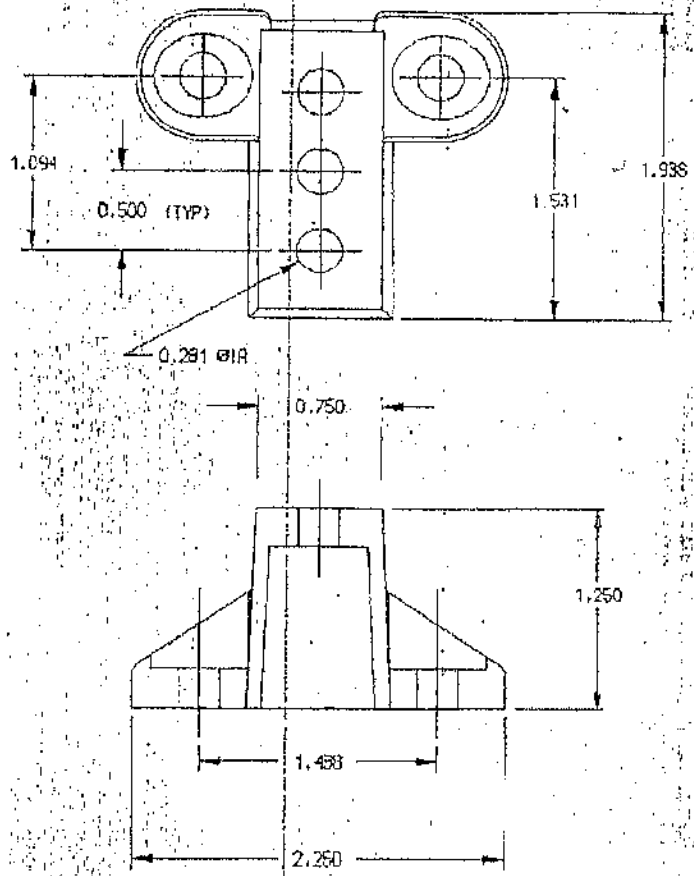


APPROVED SUPPLIERS
NSI Industries, LLC

ECD	DATE	ISSUE	BY	DESCRIPTION
1201	JUL-90	1	PS	NEW PART



FINISH		MATERIAL		PART NO.	QTY	CODE
ASSEMBLED ON		TOLERANCE UNLESS OTHERWISE SPECIFIED		TITLE		
SCALE: NTS		FRACTIONAL: 1/64		NEUTRAL INSULATOR Base		
DRAWN: PS DATE: JUL-09-90		DEC. DIM.: .005				
CHECKED: GS DATE: JUL-09-90		DEC. DIM. (HOLE): .500		ISSUE NO.		1
APP: GS DATE: JUL-09-90		LOCATION OF ORIGIN		BRAHFLER		